

## ULTRAFLEX™ 325

### CONSTRUCTION

- High strength tapered co-polymer core
- Surface: Tight fibered, formulated paperboard
- Back: Joint tape paper for uniform surface bonding
- Memory free adjustable hinge

### DURABILITY

- Uniform structural bonding with corner prevents cracks and callbacks
- Corners will not dent
- Will not separate from wall
- Will withstand significant shifting due to settling, lumber drying, temperature and humidity variations

### AESTHETIC QUALITIES

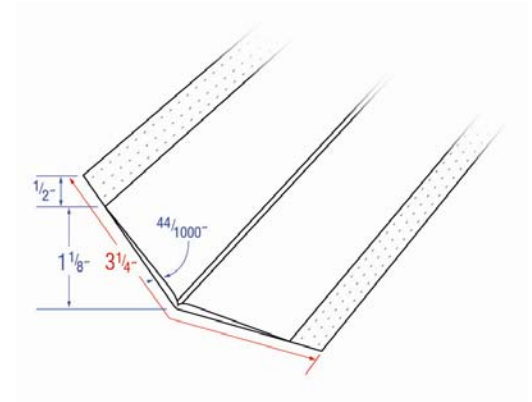
- Perfect angles of any degree every time
- Crisp, sharp lines
- Perfect surface for paint and textures
- Will withstand sanding without surface degradation
- Smoother finish

### PACKAGING

- 100' rolled lengths
- 10 rolls per carton

### DIMENSIONS

- Co-polymer center thickness approximately .044"
- Co-polymer edge thickness approximately .018"
- Total Flange width = 1.63"
- Co-polymer flange width = 1.10"
- Paperboard edge flap = .525"



Job Name:
Contractor:
Date: