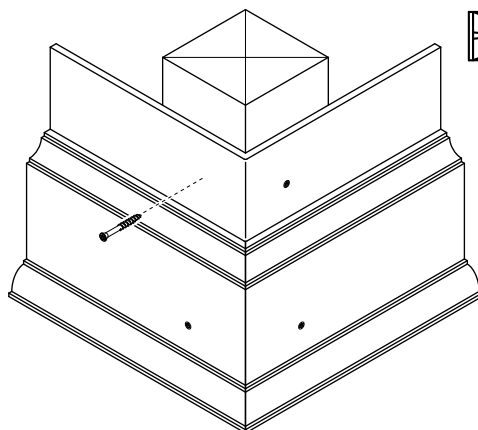
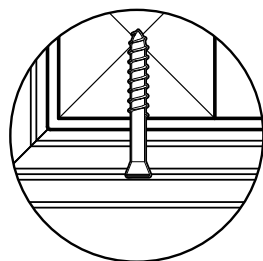


Trim Board Screw

Wood to Wood

GRABBER
CONSTRUCTION PRODUCTS



Star



Trim Head



QuickGrab™
Point

Description

Used for attaching wood trim over single- or double-layer gypsum board.

Specifications

Size | Gauge: #7 and #8

Length: 1 5/8 in. to 3 in.

Head Type: Trim

Recess Type: T15, T20 Star

Thread Type: Coarse

Finish: GrabberGard®, Stainless Steel

Quality Assurance: Grabber® fasteners are manufactured in ISO 9001 and ISO 14001 certified and approved factories.

LEED Reporting: The post-consumer recycled steel content is 25%.

Applications

- Exterior trim to wood
- Exterior finish applications

Installation

- Use a standard screw gun with a depth-sensitive nose piece, drill or impact driver. Suggested screw gun specification for optimal performance: sizes #7 and #8, up to 4,000 RPM.
- The trim head is fully seated when the head is flush with the work surface.
- The fastener should penetrate the wood at least 5/8 in., in accordance with AWC-NDS for wood construction.
- Overdriving may result in failure of the fastener.

Features

- Star recess provides consistent, reliable performance in wood-to-wood applications.
- Trim head design provides better holding power in trim-to-wood applications.
- Underhead nibs self-countersink as the screw seats.
- The QuickGrab™, Type 17 point starts immediately, allowing you to free up your other hand.

Trim Board Screw

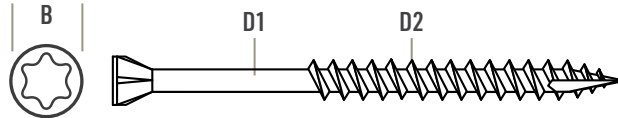
Wood to Wood



Standard Corrosion Test Results

Finish	Test	Standard/Protocol	Results
GrabberGard®	Salt Spray	ASTM B117	1,000 hrs., no red rust

Note: Salt Spray Testing (SST) results are not intended to predict corrosion in real-world environments. The ASTM B117 standard for SST is recognized industry-wide as an effective tool for comparing different metals and different metal coatings in a tightly controlled, highly corrosive environment for specific periods of time. For more information about corrosion resistance, refer to Grabber's Coatings and Corrosion Resistance Classifications in the Technical Data section of Grabber Fastener Solutions, PG1000. Consult with a corrosion specialist or the architect or engineer of record for detailed guidance and recommendations specific to your project.



Product Dimensions

Size	B Head Dia.	Recess	D1 Minor Dia.	D2 Major Dia.	TPI ¹
#7	0.230 in.	T15 Star	0.111 in.	0.151 in.	9
	0.246 in.	T15 Star	0.100 in.	0.151 in.	9
#8	0.232 in.	T20 Star	0.108 in.	0.164 in.	9
	0.254 in.	T20 Star	0.110 in.	0.164 in.	9

¹TPI stands for Threads Per Inch. This is a count of the number of threads per inch measured along the length of a fastener.

Ordering Information and Product Options

Item No.	Size	Recess	Head Diameter	TPI ¹	Quantity	Weight	Special Features
GrabberGard® Gray							
GT7158G	7 x 1 5/8 in.	T15 Star	0.246 in.	9	5,000	30 lb.	Underhead nibs, QuickGrab™ point
GT7158GG	7 x 1 5/8 in.	T15 Star	0.246 in.	9	5,000	30 lb.	
GT7225G	7 x 2 1/4 in.	T15 Star	0.246 in.	9	3,000	32 lb.	
GT7214G	7 x 2 1/4 in.	T15 Star	0.246 in.	9	3,000	32 lb.	
GT7225GG	7 x 2 1/4 in.	T15 Star	0.246 in.	9	3,000	32 lb.	
GT8300G	8 x 3 in.	T20 Star	0.254 in.	9	2,000	33 lb.	
GT8300GG	8 x 3 in.	T20 Star	0.254 in.	9	2,000	33 lb.	
GrabberGard® Red							
GT7158GR	7 x 1 5/8 in.	T15 Star	0.246 in.	9	5,000	30 lb.	Underhead nibs, QuickGrab™ point
GT7225GR	7 x 2 1/4 in.	T15 Star	0.246 in.	9	3,000	32 lb.	
GT7214GR	7 x 2 1/4 in.	T15 Star	0.246 in.	9	3,000	32 lb.	
GT8300GR	8 x 3 in.	T20 Star	0.254 in.	9	2,000	33 lb.	
GrabberGard® Yellow							
GT7158GY	7 x 1 5/8 in.	T15 Star	0.246 in.	9	5,000	30 lb.	Underhead nibs, QuickGrab™ point
GT7225GY	7 x 2 1/4 in.	T15 Star	0.246 in.	9	3,000	32 lb.	
GT8300GY	8 x 3 in.	T20 Star	0.254 in.	9	2,000	33 lb.	

¹TPI stands for Threads Per Inch. This is a count of the number of threads per inch measured along the length of a fastener.

Trim Board Screw

Wood to Wood



Ordering Information and Product Options (continued)

Item No.	Size	Recess	Head Diameter	TPI ¹	Quantity	Weight	Special Features
305 Stainless Steel							
GTSTTR158	7 x 1 5/8 in.	T15 Star	0.230 in.	9	5,000	30 lb.	Underhead nibs, QuickGrab™ point
GTSTTR158B	7 x 1 5/8 in.	T15 Star	0.230 in.	9	5,000	30 lb.	
GTSTTR225	7 x 2 1/4 in.	T15 Star	0.230 in.	9	3,000	32 lb.	
GTSTTR214	7 x 2 1/4 in.	T15 Star	0.230 in.	9	3,000	32 lb.	
GTSTTR225B	7 x 2 1/4 in.	T15 Star	0.230 in.	9	3,000	32 lb.	
GTSTTR300	8 x 3 in.	T20 Star	0.232 in.	9	2,000	33 lb.	
GTSTTR300B	8 x 3 in.	T20 Star	0.232 in.	9	2,000	33 lb.	
GTPHTR158W	7 x 1 5/8 in.	T15 Star	0.230 in.	9	5,000	30 lb.	Underhead nibs, QuickGrab™ point, White painted head
GTPHTR225W	7 x 2 1/4 in.	T15 Star	0.230 in.	9	3,000	32 lb.	
GTPHTR214W	7 x 2 1/4 in.	T15 Star	0.230 in.	9	3,000	32 lb.	

¹TPI stands for Threads Per Inch. This is a count of the number of threads per inch measured along the length of a fastener.
 Note: Product availability is subject to change without prior notice and the availability of products may differ from what is printed in literature and displayed on our website.
 The items listed are bulk size. Most are also available in smaller packages such as 5 lb. and 1 lb. Contact your local Grabber Branch or GrabberPro for more information.

Trim Board Screw
 PS1032 USA-ENG/Rev. 02-25
GRABBER CONSTRUCTION PRODUCTS, INC.
 5255 W 11000 N., STE 100
 HIGHLAND, UT 84003
 (800) 477-8876 | GrabberPro.com

SAFETY FIRST: Wear appropriate personal protective equipment. Read applicable SDS and literature before handling and installation.

TECHNICAL INFORMATION: Technical information contained herein is furnished without charge or obligation and is given and accepted at the recipient's sole risk. Because conditions of use may vary and are beyond our control, Grabber Construction Products makes no representation about, and is not responsible or liable for, the accuracy or reliability of data associated with uses of any product described herein. Grabber Construction Products reserves the right to modify this document without prior notice.

© 2025 Grabber Construction Products, Inc. | All rights reserved | Printed in U.S.A.
 The trademarks Grabber, GrabberGard, QuickGrab, and Stylized G on Grabber Fasteners, are trademarks of Grabber Construction Products, Inc.

